

# [EXPLODED VIEW]

- 1. Screw
- 2. Spring Washer
- 3. Left Support
- 4. Ball Bearing
- 5. Centrifugal Switch #
- 6. Screw
- 7. Stator Housing
- 8. Stator
- 9. Rotor Shaft\*

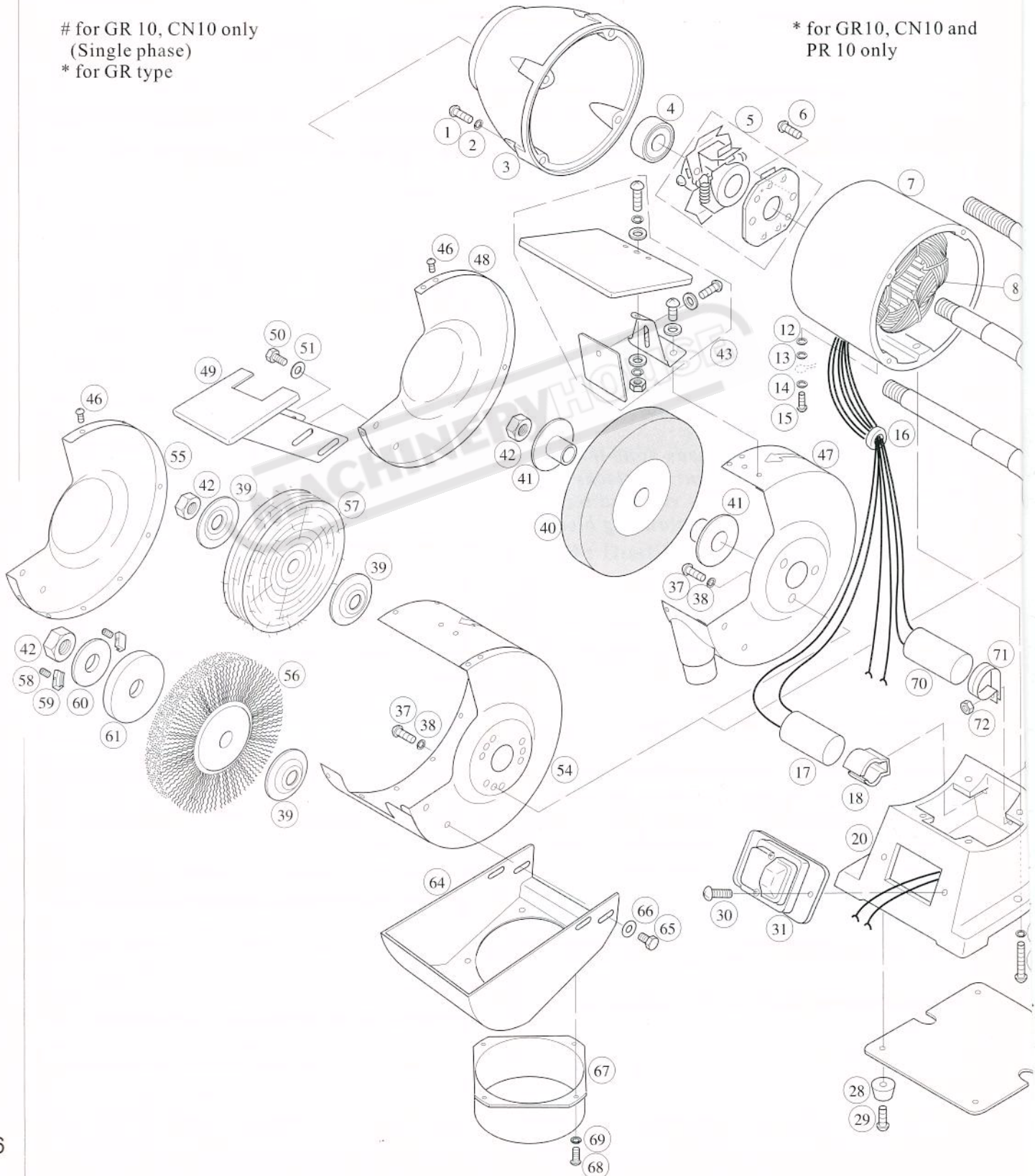
- 10. Fan
- 11. Right Support
- 12. Ext. Washer
- 13. Copper Set
- 14. Int. Washer
- 15. Screw
- 16. Grommet Rubber
- 17. Running Capacitor
- 18. Clamp
- 19. Screw

- 20. Grinding Base
- 21. Screw
- 22. Cable Strainer
- 23. Fixing Plate
- 24. Power Cord
- 25. Washer
- 26. Screw
- 27. Base Plate
- 28. Pad
- 29. Screw

- 30. Screw
- 31. NVR
- 32. Overload Protector\*
- 34. Spring Washer\*
- 35. Hex. Nut\*
- 36. Screw
- 37. Screw
- 38. Spring Washer
- 39. Disc Washer

# for GR 10, CN10 only  
(Single phase)  
\* for GR type

\* for GR10, CN10 and  
PR 10 only



Grinding Wheel  
 Levee  
 Hex. Nut  
 Guardset  
 Right Int. Cover A  
 Right Wheel Cover A  
 Screw  
 Left Int. Cover A  
 Left Wheel Cover A  
 Toolrest

50. Hex. Bolt  
 51. Washer  
 52. Right Int. Cover B  
 53. Right Wheel Cover B  
 54. Left Int. Cover B  
 55. Left Wheel Cover B  
 56. Wire Brush  
 57. MOP/Buffer  
 58. Set Screw  
 59. Balance Block

60. Washer  
 61. Balancing Flange  
 62. Rotor Shaft\*1  
 63. Rotor Shaft\*2  
 64. Dust Collector  
 65. Hex. Bolt  
 66. Washer  
 67. Chip Outlet  
 68. Screw  
 69. Spring Washer

70. Starting Capacitor \*  
 71. Clamp \*  
 72. Hex. Nut \*  
 73. Wiring Board

44+45+47+48 for GR type  
 47+48+52+53 for CN type  
 52+53+54+55 for PR type

\*1 for CN type  
 \*2 for PR type

\*for GR 10, CN10 only  
 (Single phase)

